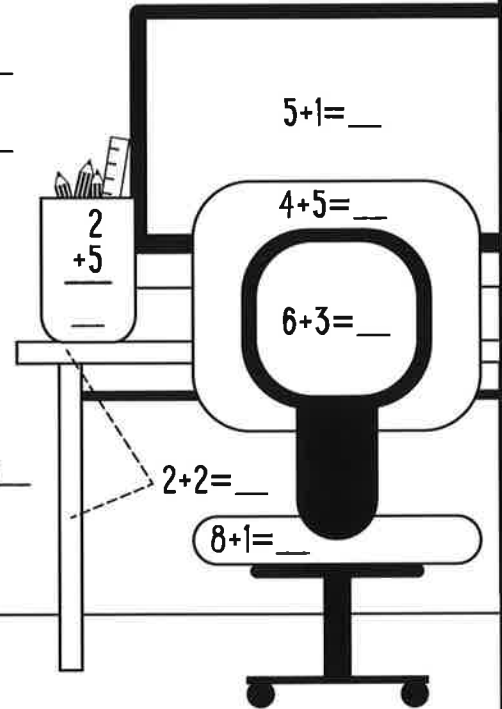
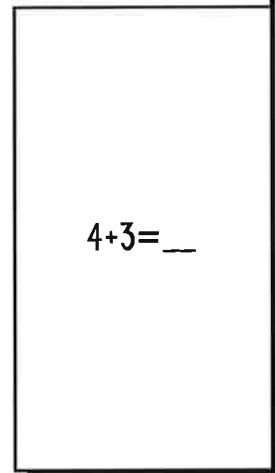
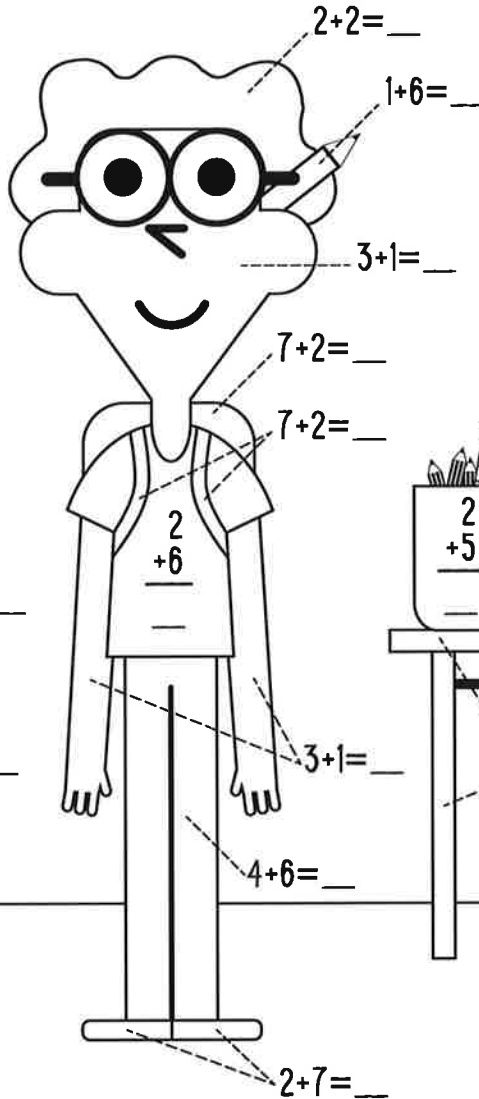
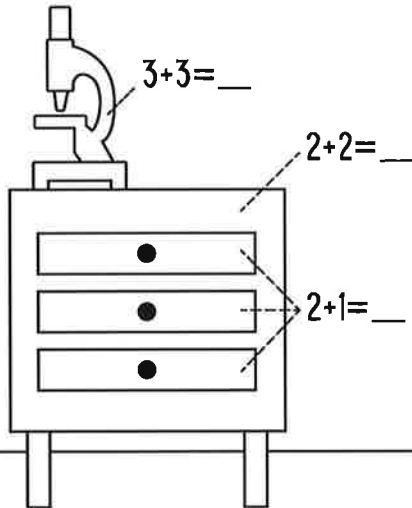
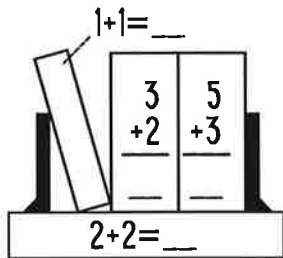
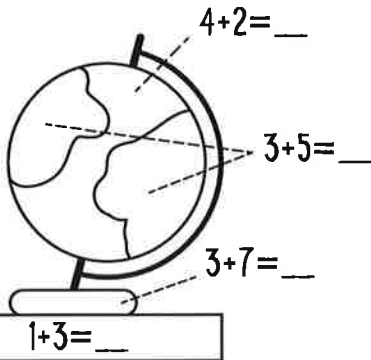


# IN THE STUDY ROOM!



Color the formula with:

- The sum of 2 - Pink
- The sum of 3 - Orange
- The sum of 4 - Brown
- The sum of 5 - Purple

- The sum of 6 - Light Blue
- The sum of 7 - Yellow
- The sum of 8 - Green
- The sum of 9 - Red
- The sum of 10 - Dark Blue

